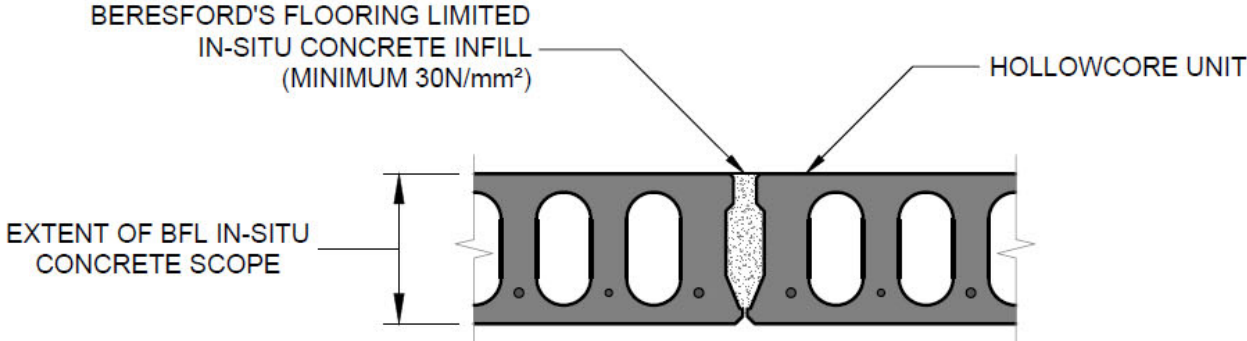


Tier 3 Details



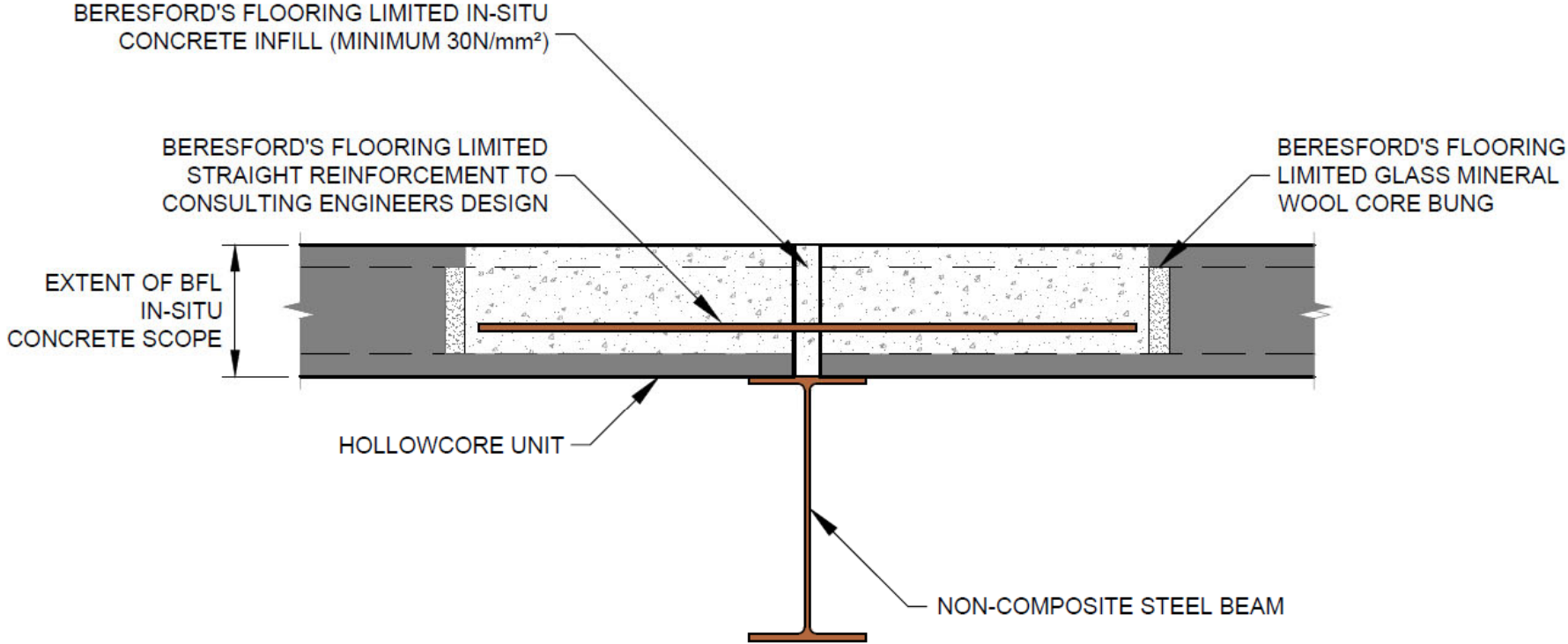
Beresford Flooring Limited Typical Sections



SECTION THROUGH HOLLOWCORE JOINT

The copyright of designs, details and proposals contained or implied in this document are vested in Beresford's Flooring Limited and must not be copied or conveyed in part or in whole to third parties without their permission in writing. Unregistered design rights apply, Copyright Beresford's Flooring Limited.

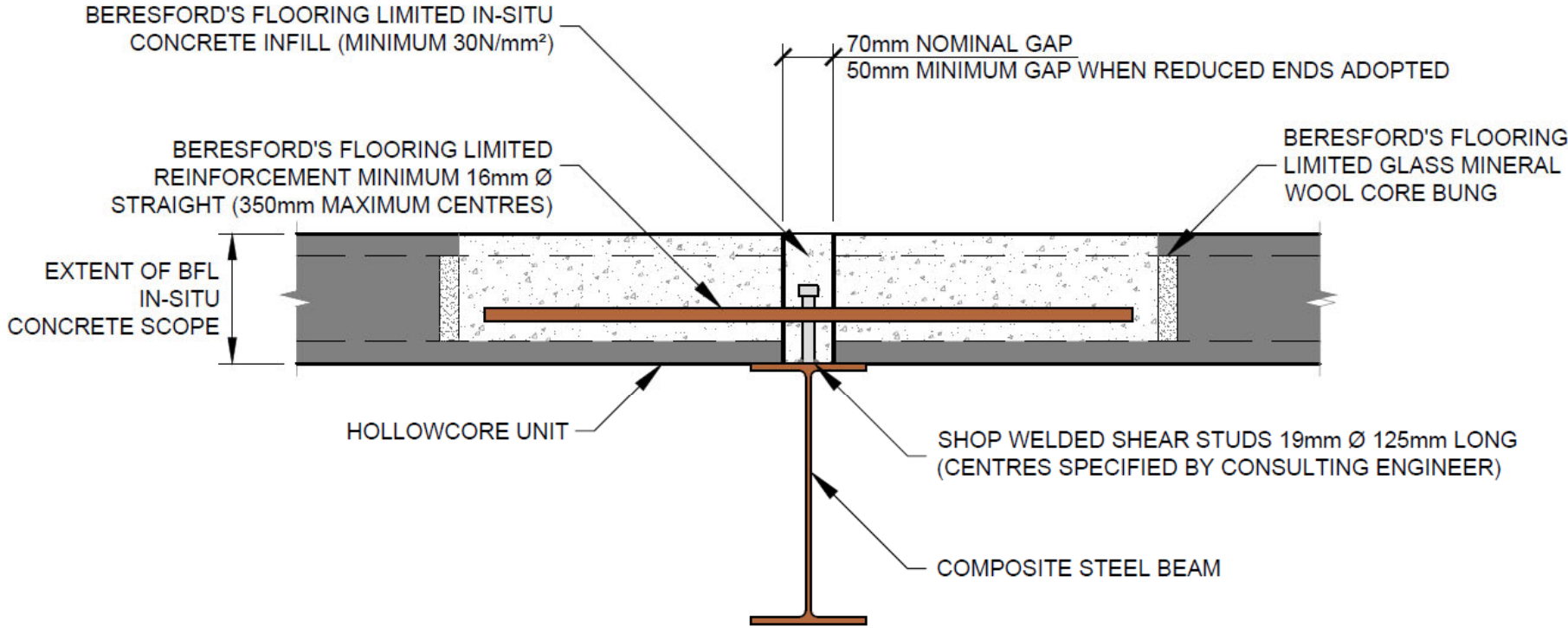
Beresford Flooring Limited Typical Sections



SECTION THROUGH DUEL BEARING - NON COMPOSITE STEEL BEAM

The copyright of designs, details and proposals contained or implied in this document are vested in Beresford's Flooring Limited and must not be copied or conveyed in part or in whole to third parties without their permission in writing. Unregistered design rights apply, Copyright Beresford's Flooring Limited.

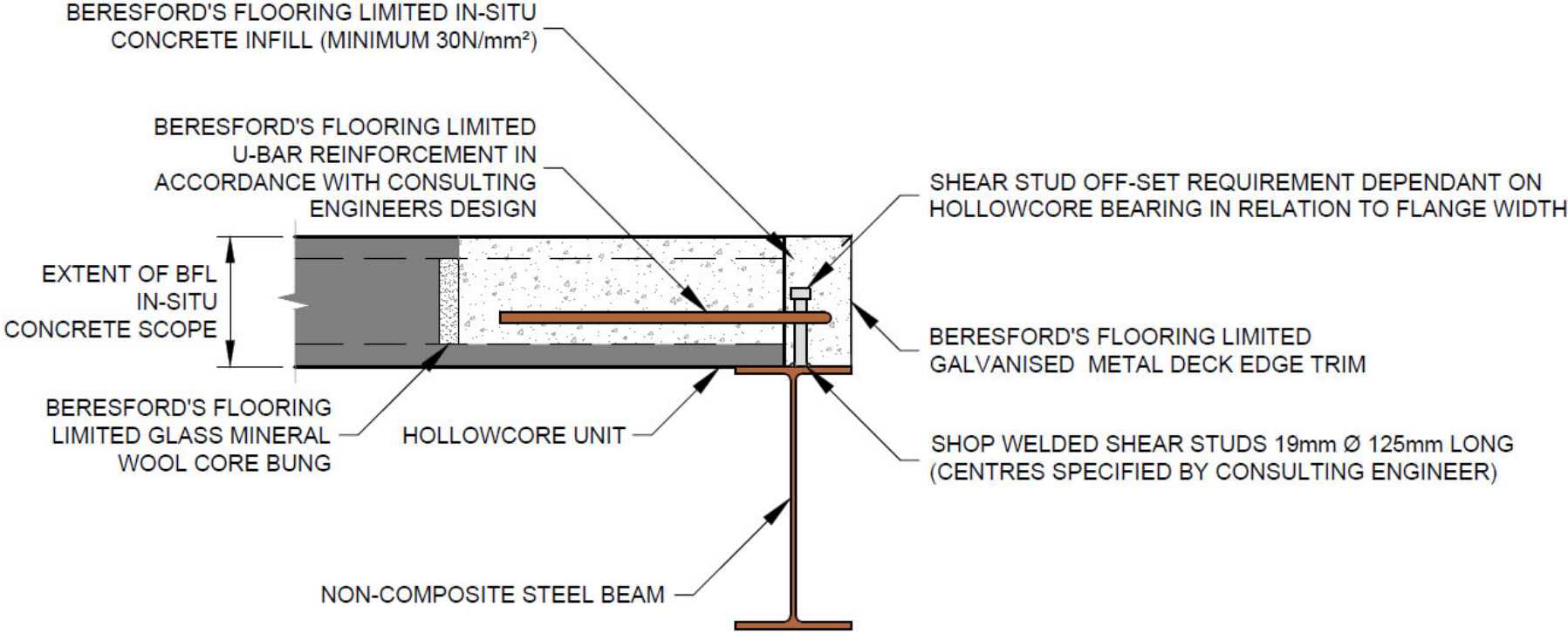
Beresford Flooring Limited Typical Sections



SECTION THROUGH DUEL BEARING - COMPOSITE STEEL BEAM

The copyright of designs, details and proposals contained or implied in this document are vested in Beresford's Flooring Limited and must not be copied or conveyed in part or in whole to third parties without their permission in writing. Unregistered design rights apply, Copyright Beresford's Flooring Limited.

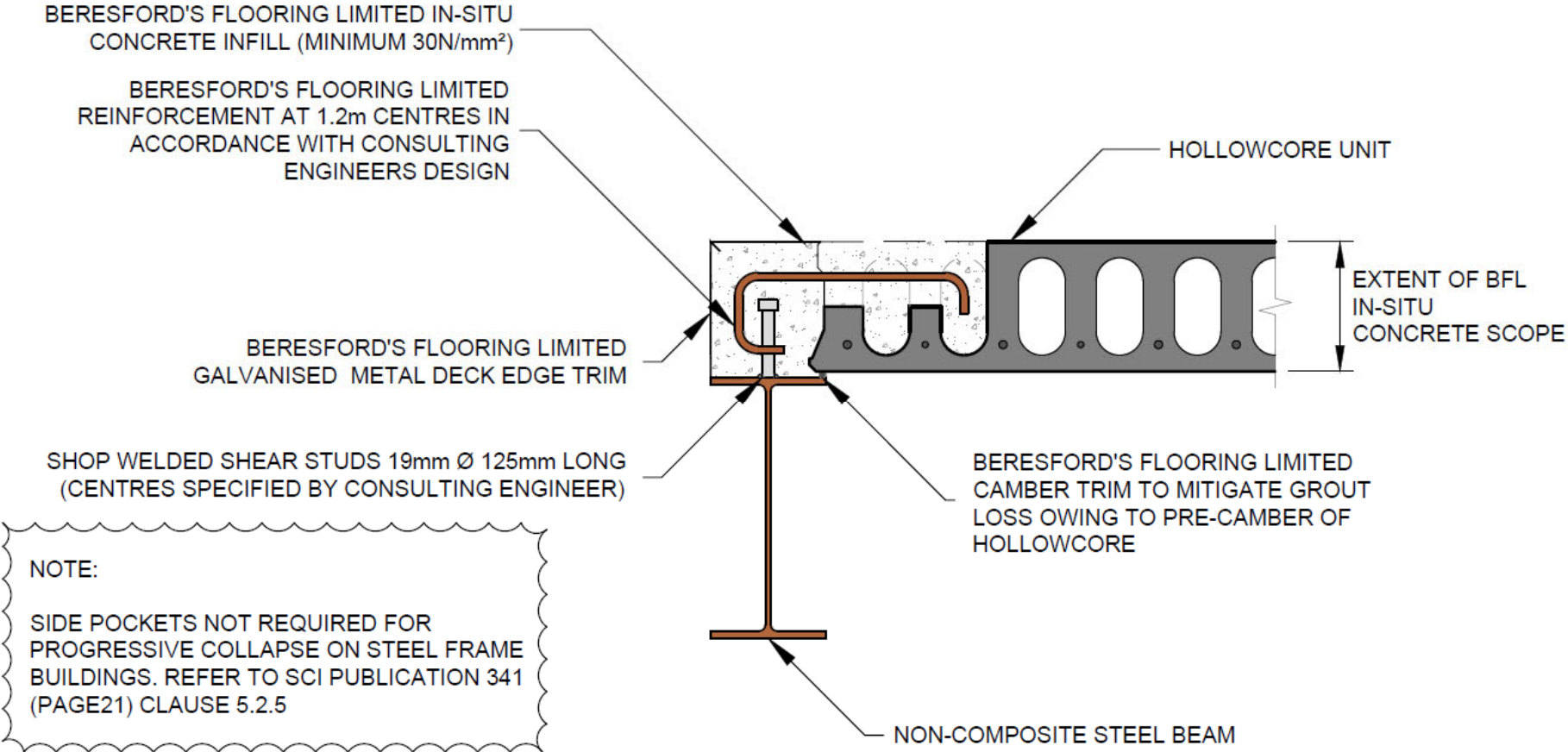
Beresford Flooring Limited Typical Sections



SECTION THROUGH END BEARING

The copyright of designs, details and proposals contained or implied in this document are vested in Beresford's Flooring Limited and must not be copied or conveyed in part or in whole to third parties without their permission in writing. Unregistered design rights apply, Copyright Beresford's Flooring Limited.

Beresford Flooring Limited Typical Sections



SECTION THROUGH EDGE / TIE BEAM

The copyright of designs, details and proposals contained or implied in this document are vested in Beresford's Flooring Limited and must not be copied or conveyed in part or in whole to third parties without their permission in writing. Unregistered design rights apply, Copyright Beresford's Flooring Limited.